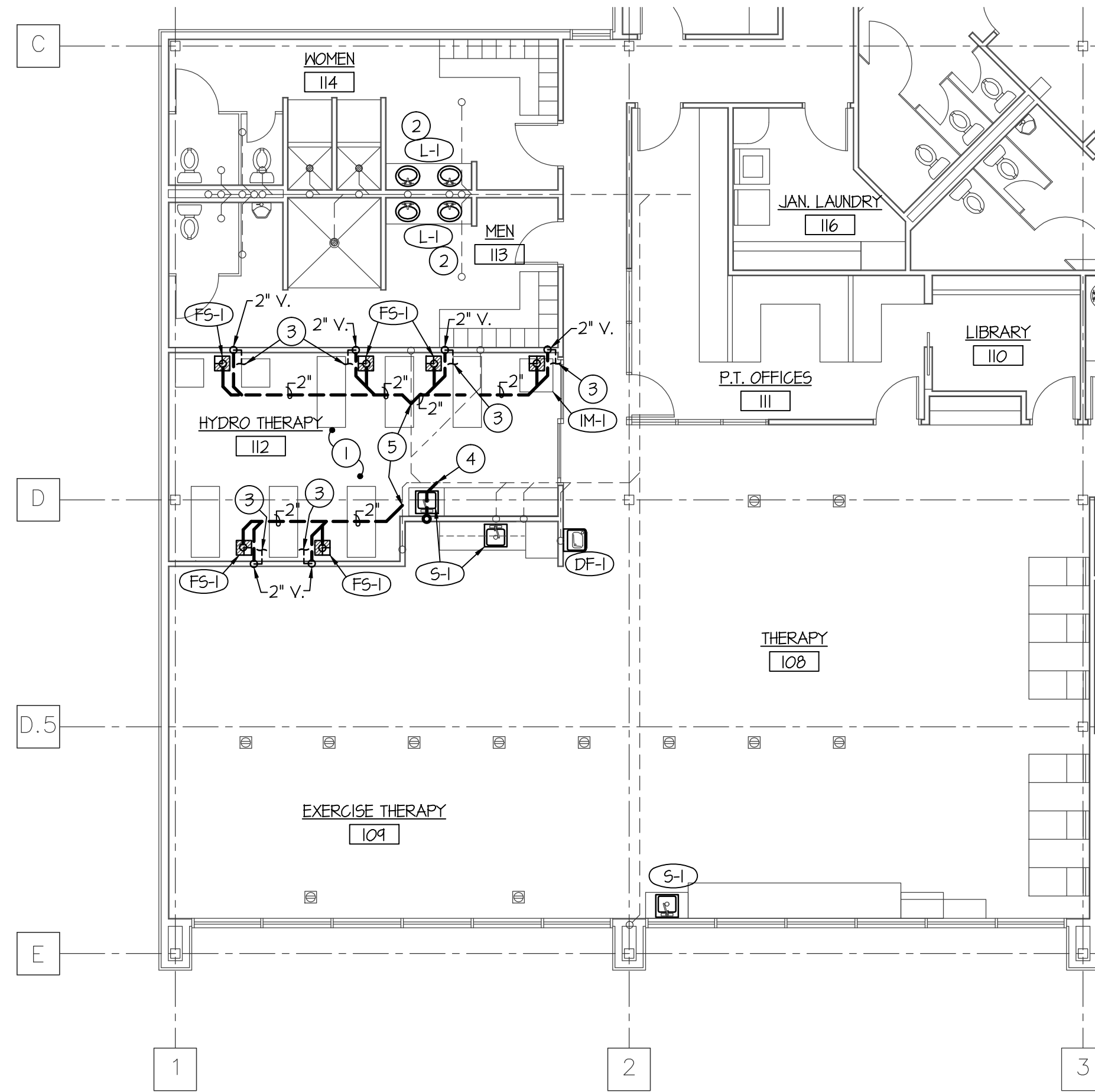


LARGE SCALE MAIN LEVEL PLUMBING DEMO FLOOR PLAN
SCALE: 1/4" = 1'-0"



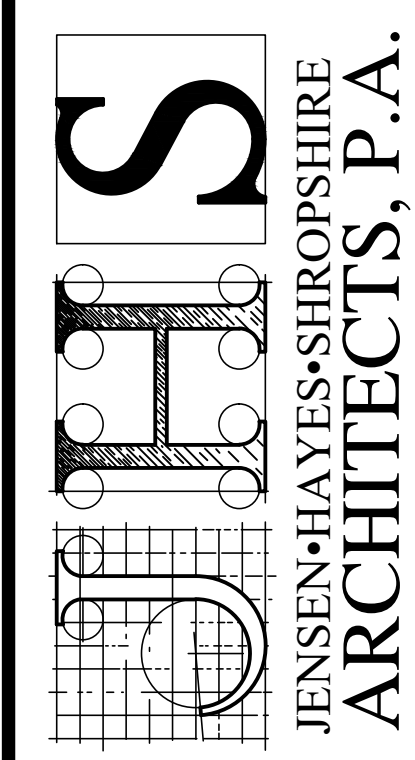
MAIN LEVEL PLUMBING FLOOR PLAN
SCALE: 1/8" = 1'-0"

PLAN NOTES:

- 1 SAWCUT EXISTING SLAB AS REQUIRED FOR NEW FLOOR SINKS.
- 2 REINSTALL EXISTING LAVATORY IN NEW COUNTERTOP AND RECONNECT TO EXISTING WASTE, WATER AND VENT PIPING AS REQUIRED. PROVIDE NEW BALL STOPS AND SUPPLIES.
- 3 CONNECT NEW 2" VENT FROM FLOOR SINK TO NEAREST 2" OR LARGER VENT PIPING LOGGED ABOVE CEILING. FIELD VERIFY EXACT LOCATION OF EXISTING PIPING.
- 4 SAWCUT EXISTING SLAB AS REQUIRED TO INSTALL NEW 2" WASTE LINE FROM RELOCATED SINK AND CONNECT TO EXISTING WASTE MAIN UNDERSLAB.
- 5 CONNECT NEW 2" WASTE LINE TO EXISTING 2" OR LARGER WASTE LINE UNDERFLOOR. FIELD VERIFY LOCATION OF EXISTING WASTE LINE.

COPYRIGHT 2017
JENSEN-HAYES-SHROPSHIRE
ARCHITECTS, P.A.

125 N. GARFIELD AVE.
POCATELLO, IDAHO 83204
208-232-1223 (Fax: 208-232-1226)



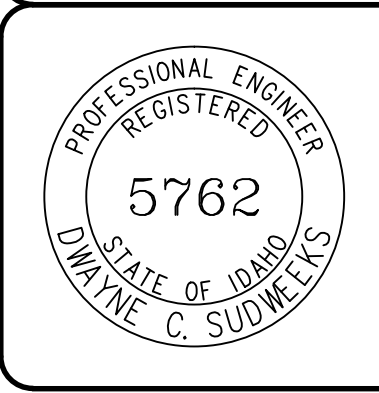
**SPORTS MEDICINE CENTER REMODEL
AT IDAHO STATE UNIVERSITY**

**MECHANICAL/PLUMBING DEMOLITION
FLOOR PLAN**

PLUMBING LEGEND

SYMBOL	DESCRIPTION
V	VENT
VTR	VENT THRU ROOF
CO	CLEANOUT
MCO	WALL CLEANOUT
COTG	CLEANOUT TO GRADE
G	PIPE DROP
o	PIPE RISE
	BALL TYPE ISOLATION VALVE
---	SOIL OR WASTE PIPING
----	VENT LINE PIPING
-----	DOMESTIC COLD WATER PIPING
-----	DOMESTIC HOT WATER PIPING
-----	HOT WATER RECIRC. PIPING
G	GAS PIPING
CD	CONDENSATE DRAIN PIPING
RDL	ROOF DRAIN PIPING
RDO	ROOF OVERFLOW DRAIN PIPING

ORIGINAL DRAWING SIGNED BY: DWAYNE SUDMECKS
DATE ORIGINAL SIGNED: JULY 31, 2014
ORIGINAL ON FILE AT ENGINEERED SYSTEMS ASSOCIATES
315 WEST CENTER, POCATELLO, IDAHO 83204



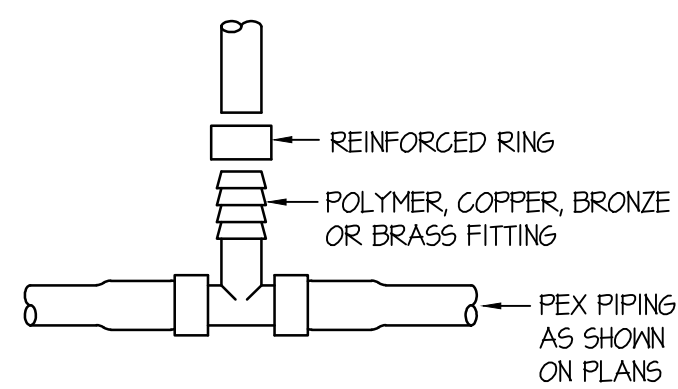
Engineered Systems Associates
1355 EAST CENTER
POCATELLO, IDAHO 83201
PHONE: (208) 233-0501
FAX: (208) 233-0529
EMAIL: eso@engsystems.com
ESA JOB NUMBER: 19048

REVISIONS: _____

DATE: JAN 2014
DRAWING NO: **P1.1**
JOB NO: 1901
2 OF 2

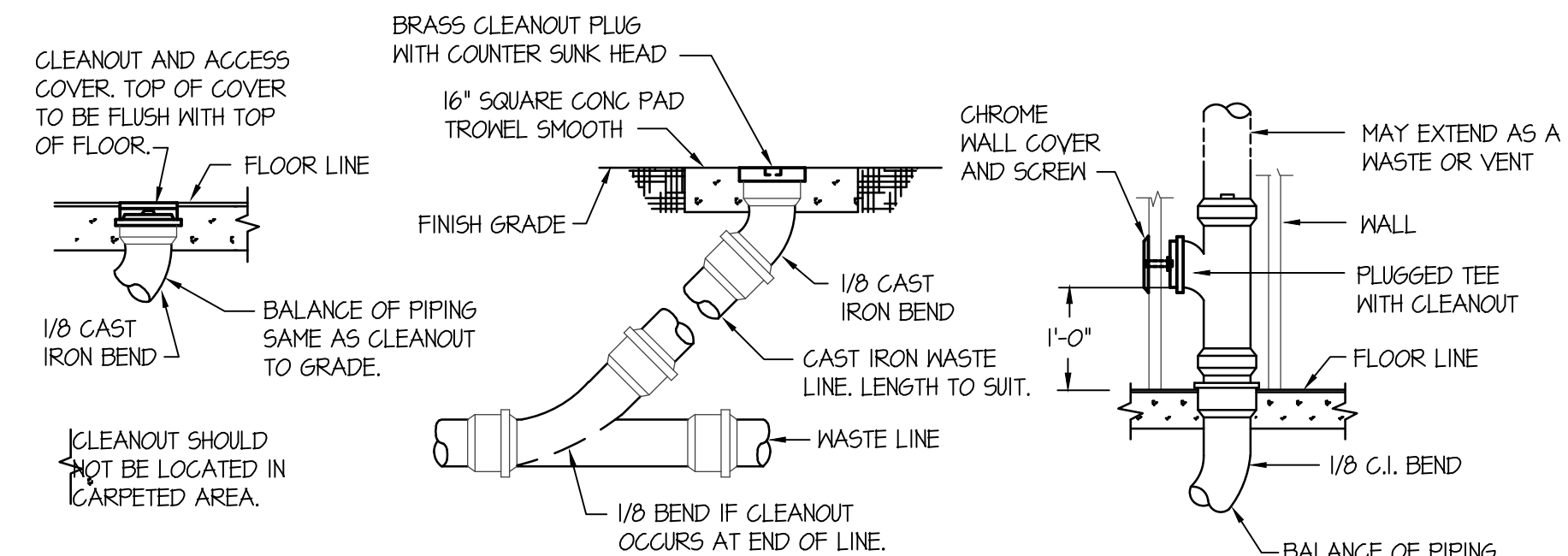
THIS TYPE (COLD EXPANSION) OF FITTING REQUIRES THAT THE PEX PIPING, WITH REINFORCING PEX RING PLACED OVER THE END OF THE END OF THE PIPE, IS EXPANDED BEFORE THE FITTING IS INSERTED INTO THE PIPE END. THE EXPANDED PIPE END IS ALLOWED TO RETRACT ONTO THE FITTING TO FORM THE SEAL. THE MEMORY OF THE PIPE ALLOWS IT TO TIGHTEN OVER THE FITTING. AN EXPANDER TOOL IS REQUIRED TO EXPAND THE PIPE AND THE PEX RING TOGETHER.

ALL JOINTS (TEES, ELBOWS, COUPLINGS, ETC.) ARE JOINTED SIMILARLY.



PEX PIPE FITTING DETAILS
NO SCALE

NOTE:
STAINLESS STEEL CAMP BANDS ARE ALSO PERMITTED FOR REINFORCING RING.



FLOOR CLEANOUT (FCO) CLEANOUT TO GRADE (COTG) WALL CLEANOUT (MCO)

CLEAN OUT DETAILS
NO SCALE

FIXTURE SCHEDULE

SYM.	DESCRIPTION	HOT	COLD	WASTE	VENT
(DF-1)	DRINKING FOUNTAIN - ELKAY MODEL LZ5TL056LK WITH BOTTLE FILLER STATION & FILTER FRONT PUSH BAR OPERATORS, 1/2" STOP, 1-1/2" P-TRAP AND FLEX-GUARD SAFETY BUBBLER VALVE.	---	1/2"	1-1/2"	1-1/2"
(FS-1)	FLOOR SINK - ZURN Z-1900-KC WITH WHITE ENAMEL FINISH, DOME STRAINER AND 2" DEEP SEAL P-TRAP. PROVIDE 3/4" GRATE OVER SINK.	---	---	2"	2"
(F-1)	WALL MOUNTED FAUCET - KOHLER MODEL K-8428 FAUCET WITH VACUUM BREAKER AND BUCKET HANDLE HOLDER.	1/2"	1/2"	---	---
(L-1)	LAVATORY - REINSTALL EXISTING LAVATORY IN NEW COUNTERTOP AND CONNECT TO EXISTING WASTE, WATER AND VENT PIPING AS REQUIRED. INSTALL EXISTING INSULATING JACKET ON HN LINE AND DRAIN AND PROVIDE NEW STOPS AND SUPPLIES.	1/2"	1/2"	1-1/2"	1-1/2"
(S-1)	SINK - REINSTALL EXISTING SINK IN NEW COUNTERTOP AND CONNECT TO EXISTING WASTE, WATER AND VENT PIPING AS REQUIRED. PROVIDE NEW STOPS AND SUPPLIES.	1/2"	1/2"	1-1/2"	1-1/2"
(IM-1)	ICE MACHINE - TO BE SUPPLIED BY THE OWNER, PLUMBING CONTRACTOR TO ROUGH-IN 1/2" CW LINE WITH BALL TYPE SHUT-OFF VALVE AND 3/8" REDUCER. ROUGH-IN AND CONNECT 3/4" DRAIN LINE FROM MACHINE TO FLOOR SINK WITH 1" AIR GAP.	---	1/2"	3/4" TO (FS-1)	-